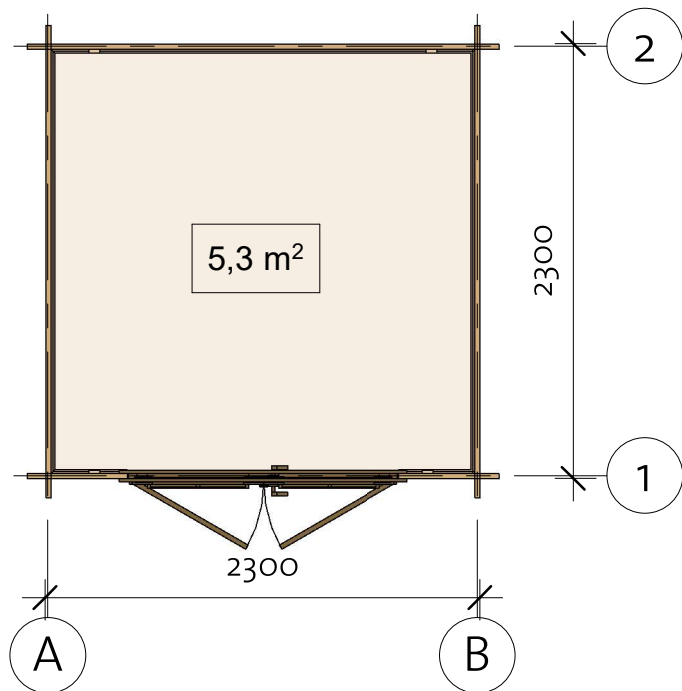
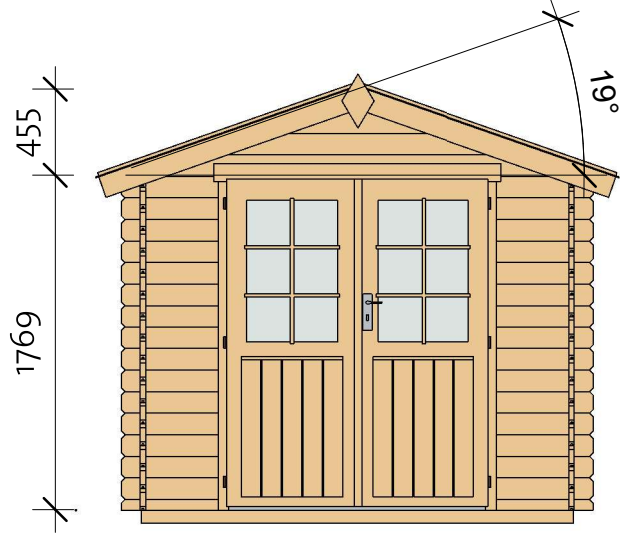



# Denver 2 28 (230x230)

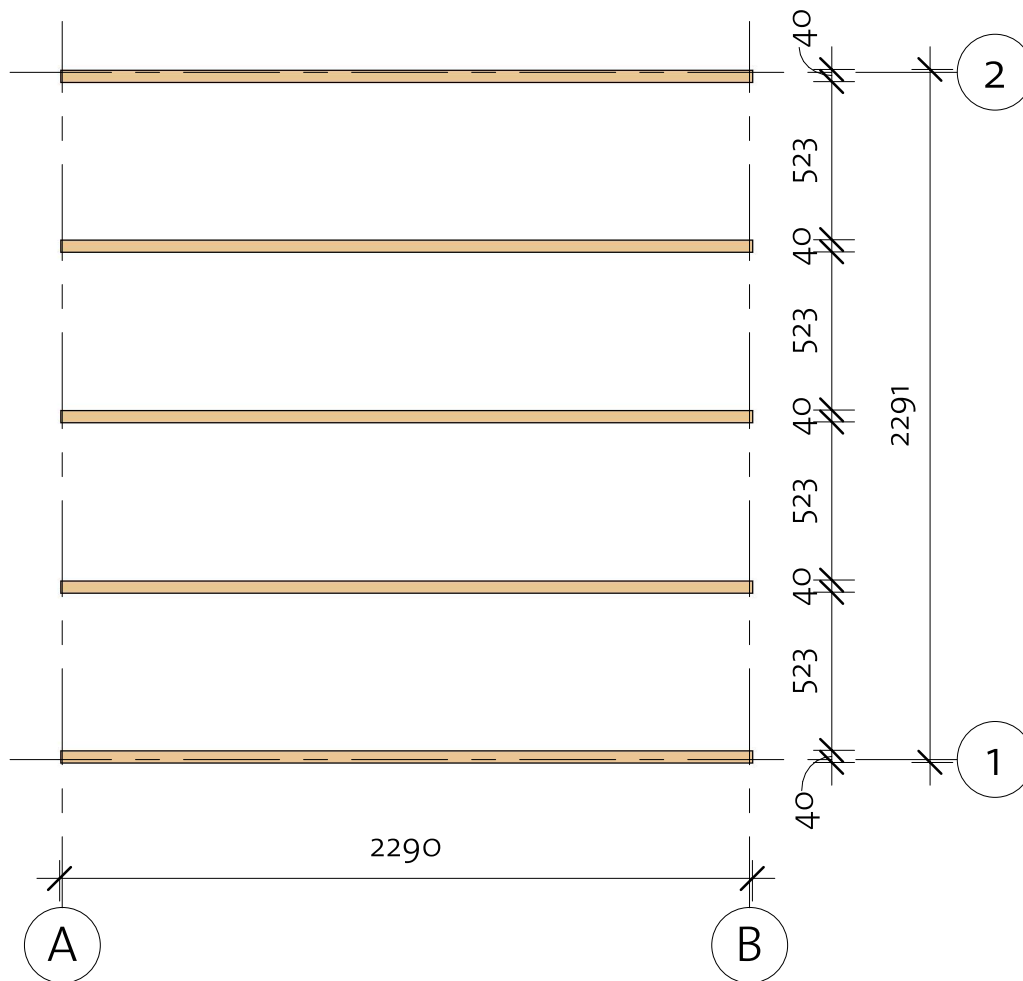


190418

# Denver 2 28 (230x230)

Foundation

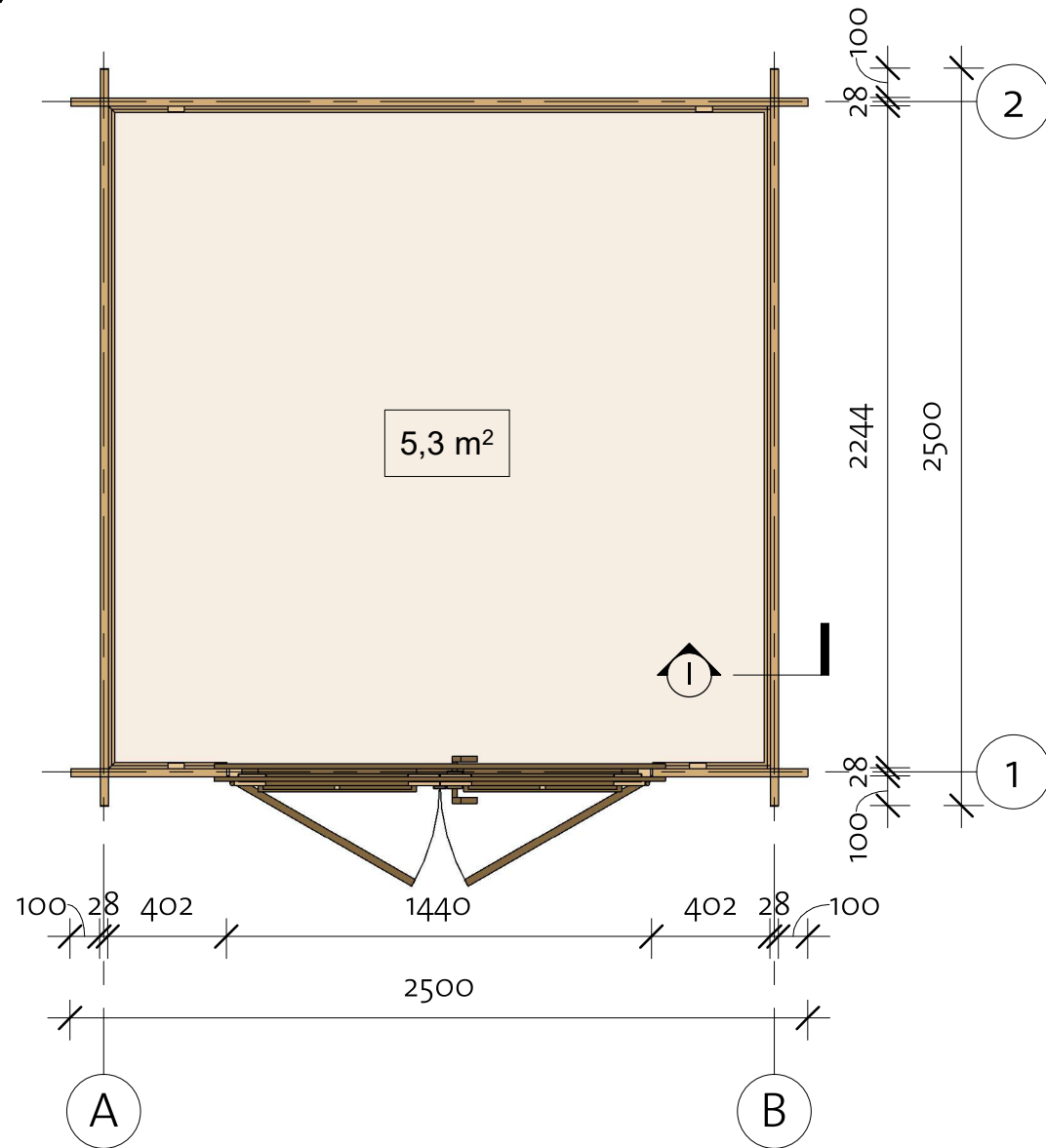
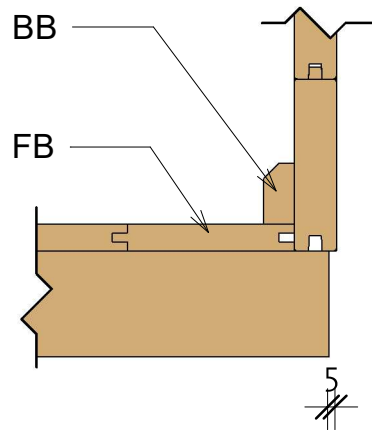
Impregnated foundation beams				
Mark	Type	Profile	Count	Length
IFB	IFB 40x70		5	2290




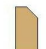
# Denver 2 28 (230x230)

Floor Plan

① Baseboard

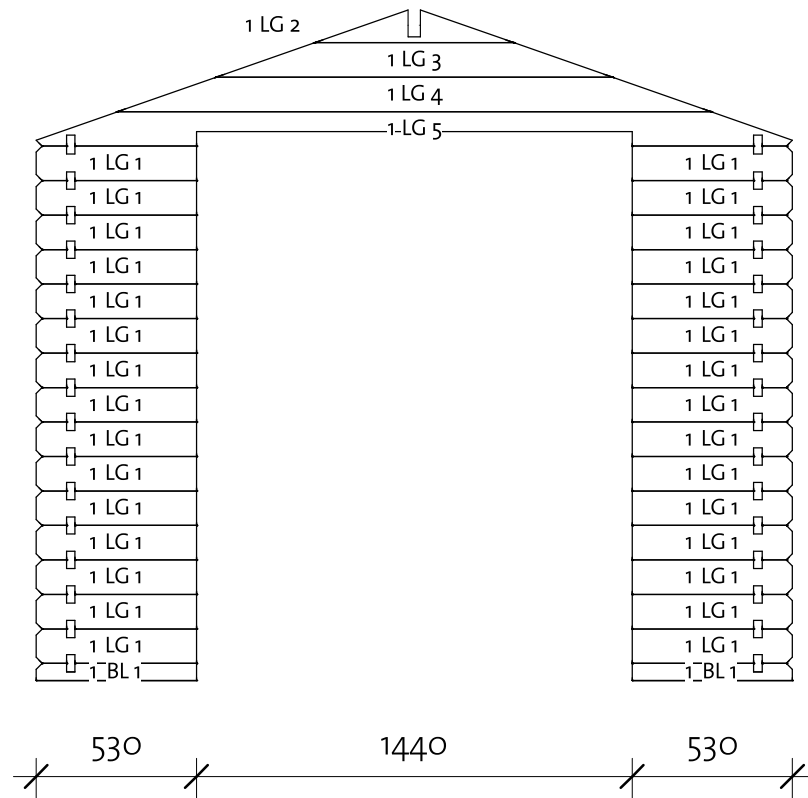
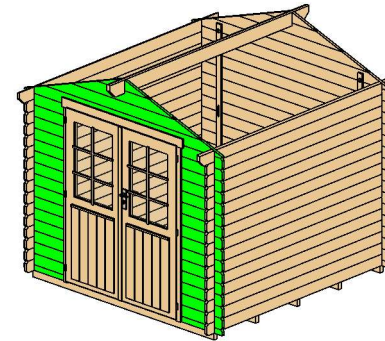


Floor Schedule

Mark	Type	Profile	Count	Length
FB	FB 18x110		22	2240
BB	BB 20x40		4	2200

# Denver 2 28 (230x230)

Wall 1

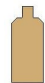



Wall 1			
Mark	Profile	Count	Cut Length

1BL 1	28x57	2	530
1LG 1	28x114	30	530
1LG 2*	28x114	1	658
1LG 3*	28x114	1	1310
1LG 4*	28x114	1	1962
1LG 5*	28x114	1	2500

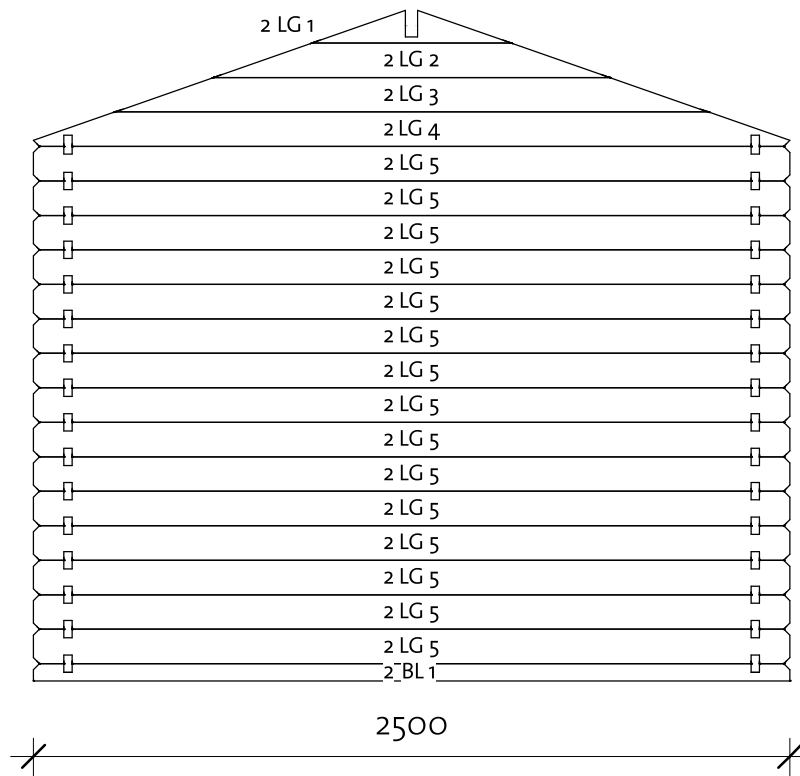
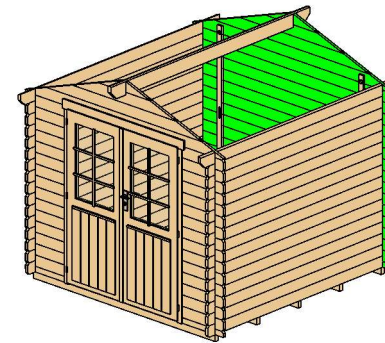
\* Gable - delivered premounted

Log Profile Wall 1	
Profile	Profile

28x57	
28x114	

# Denver 2 28 (230x230)

Wall 2



Wall 2			
Mark	Profile	Count	Cut Length

2BL 1	28x57	1	2500
2LG 1*	28x114	1	658
2LG 2*	28x114	1	1310
2LG 3*	28x114	1	1962
2LG 4*	28x114	1	2500
2LG 5	28x114	15	2500

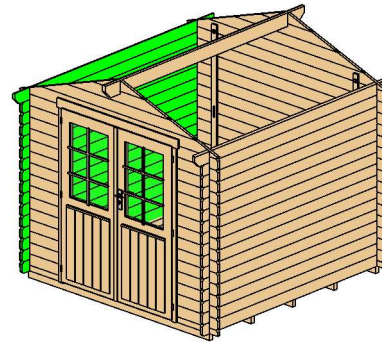
\* Gable - delivered premounted

Log Profile Wall 2	
Profile	Profile

28x57	
28x114	

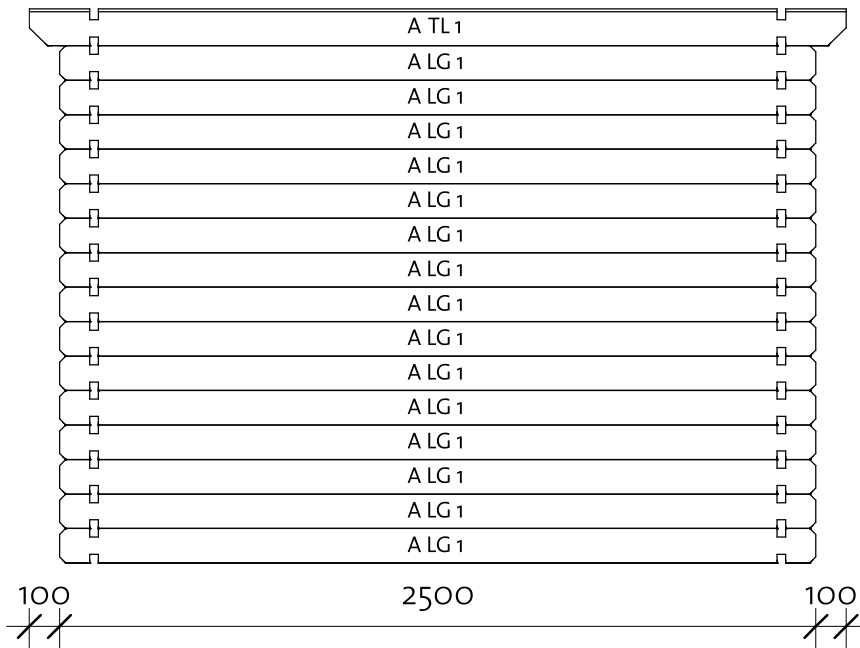
# Denver 2 28 (230x230)

Wall A



Wall A			
Mark	Profile	Count	Cut Length

ALG 1	28x114	15	2500
ATL 1	28x122	1	2700

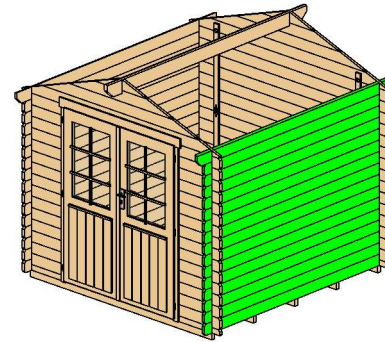


Log Profile Wall A	
Profile	Profile

28x114	
28x122	

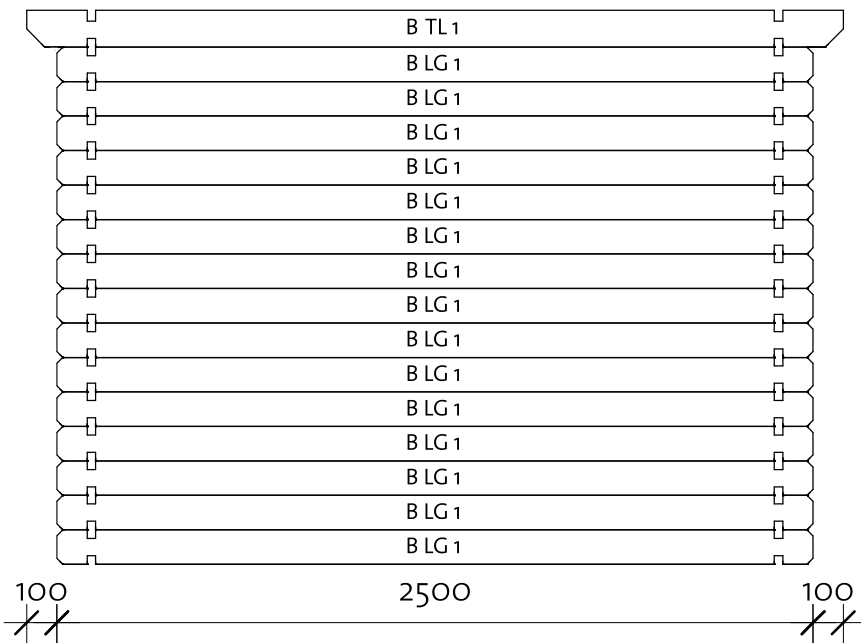
# Denver 2 28 (230x230)

Wall B



Wall B			
Mark	Profile	Count	Cut Length

BLG 1	28x114	15	2500
BTL 1	28x122	1	2700

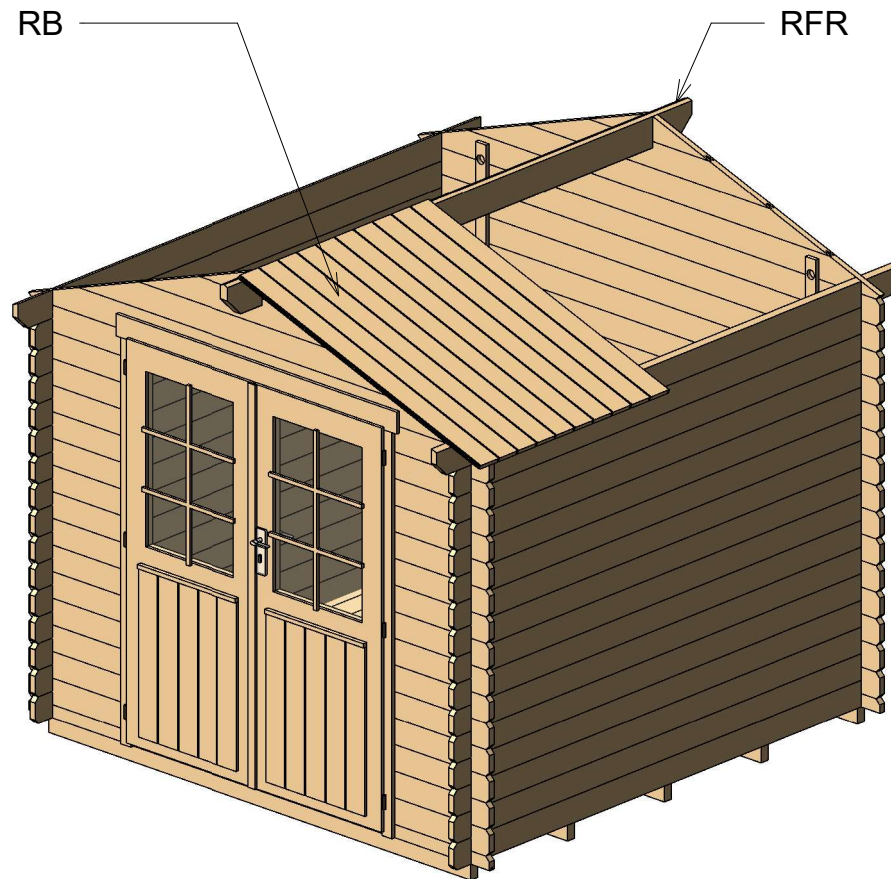




Log Profile Wall B	
Profile	Profile

28x114	
28x122	

# Denver 2 28 (230x230)

Roof 1

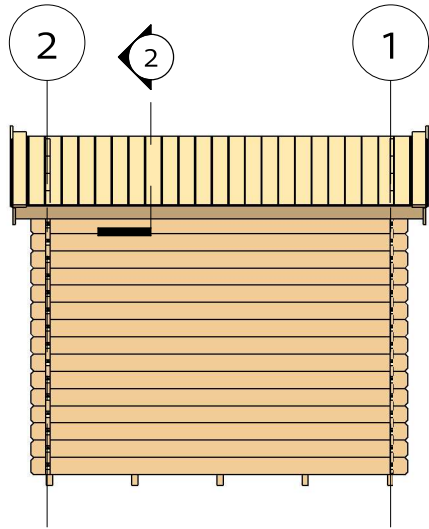


Roof				
Mark	Type	Profile	Count	Length
RFR	Ridge 40x143		1	2700
RB	Roofboard 18x110		52	1380

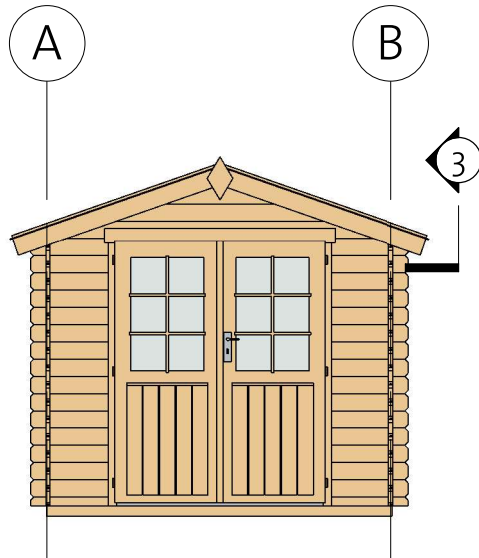
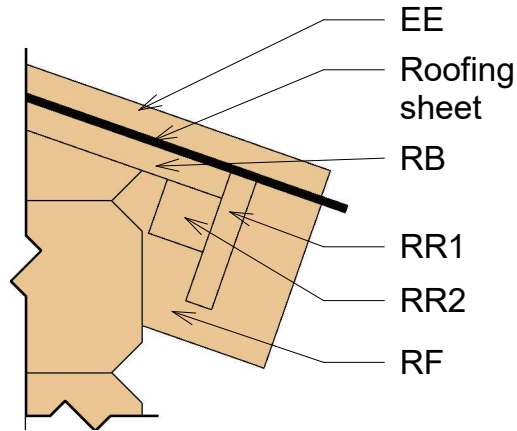


# Denver 2 28 (230x230)

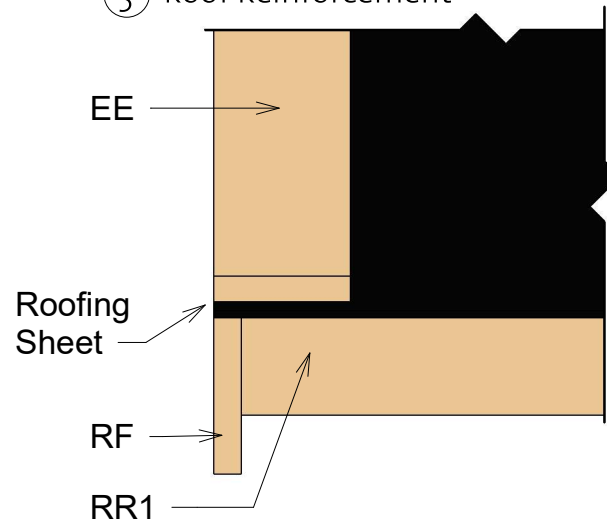
Roof 2



② Facia



③ Roof Reinforcement

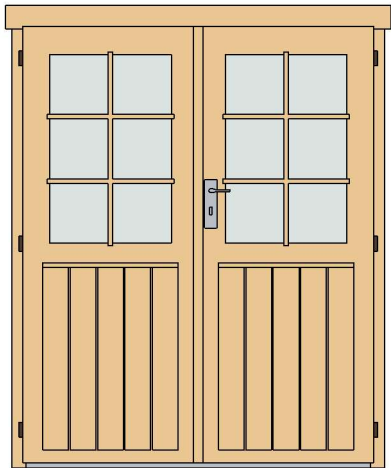


Fascia Schedule

Mark	Type	Profile	Count	Length
EE	Eave Edging 18x90		4	1450
RF	Roof Fascia 18x115		4	1450
RR1	Roof reinforcement 18x90		2	2700
RR2	Roof reinforcement 38x38		2	2700

# Denver 2 28 (230x230)

Extras



Door Schedule				
Model	Type	Width	Height	Count
BDD3R	Basic double door 3 right	1425	1775	1
DCB6	Door crossbar 6	--	--	2



Type	Count	Lenght
------	-------	--------

Windboard 18x40	4	2200
-----------------	---	------

Fasteners/Extras		
Name	Type	Count



Family	Count
Romb	2

Hitblock	300-400 mm	
Screws	5,0 x 70	10
Bolts	M8 x 60	12
Nails	1,4 x 40	25
Screws	6,0 x 140	25
Screws	4,0 x 40	75
Screws	4,0 x 50	250


190418

# Denver 2 28 (230x230)

## List of all items 1



### Impregnated foundation beams

Mark	Type	Profile	Count	Length
------	------	---------	-------	--------

IFB	IFB 40x70		5	2290
-----	--------------	---	---	------



### Floor Schedule

Mark	Type	Profile	Count	Length
------	------	---------	-------	--------

FB	FB 18x110		22	2240
BB	BB 20x40		4	2200





### Roof

Mark	Type	Profile	Count	Length
------	------	---------	-------	--------

RFR	Ridge 40x143		1	2700
RB	Roofboard 18x110		52	1380

### Fascia Schedule

Mark	Type	Profile	Count	Length
------	------	---------	-------	--------

EE	Eave Edging 18x90		4	1450
RF	Roof Fascia 18x115		4	1450
RR1	Roof reinforcement 18x90		2	2700
RR2	Roof reinforcement 38x38		2	2700

# Denver 2 28 (230x230)

## List of all items 2

Wall 1			
Mark	Profile	Count	Cut Length

1BL 1	28x57	2	530
1LG 1	28x114	30	530
1LG 2*	28x114	1	658
1LG 3*	28x114	1	1310
1LG 4*	28x114	1	1962
1LG 5*	28x114	1	2500

Wall 2			
Mark	Profile	Count	Cut Length

2BL 1	28x57	1	2500
2LG 1*	28x114	1	658
2LG 2*	28x114	1	1310
2LG 3*	28x114	1	1962
2LG 4*	28x114	1	2500
2LG 5	28x114	15	2500

Wall A			
Mark	Profile	Count	Cut Length


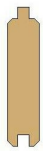
ALG 1	28x114	15	2500
ATL 1	28x122	1	2700

Wall B			
Mark	Profile	Count	Cut Length

BLG 1	28x114	15	2500
BTL 1	28x122	1	2700

\* Gable - delivered premounted

Log Profiles	
Profile	Profile

28x57	
28x114	
28x122	