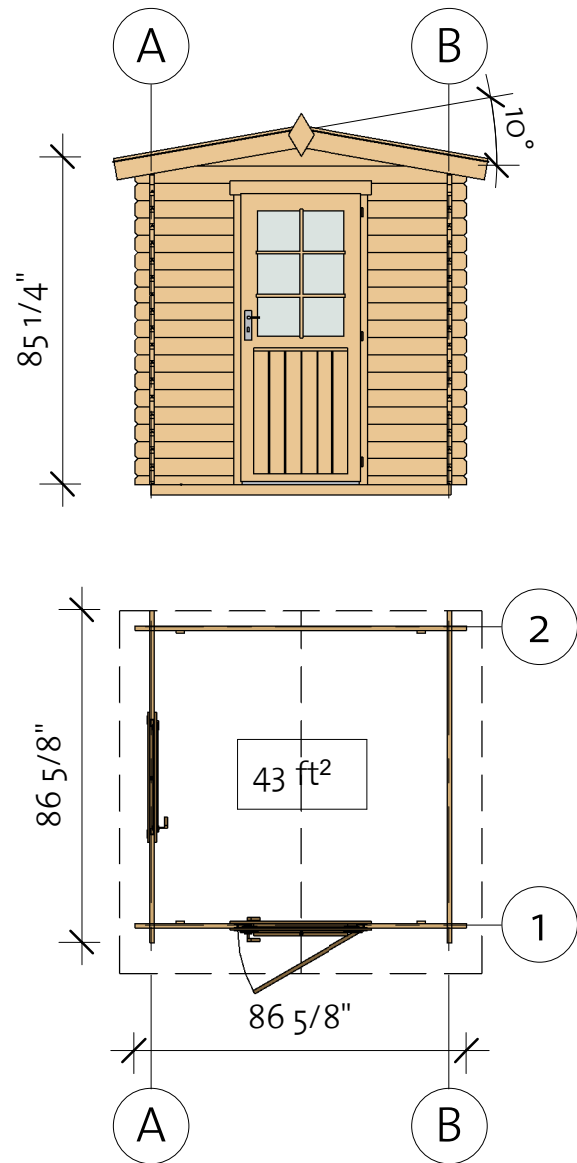
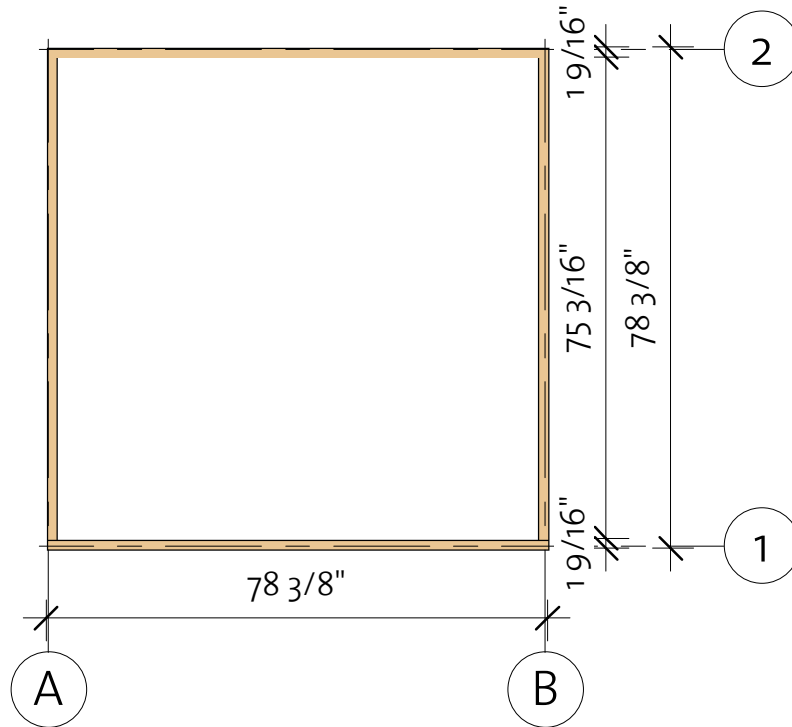




Dixon 1 1/8" (7 7/8" x 7 7/8")



Dixon 1 1/8" (7 7/8" x 7 7/8")

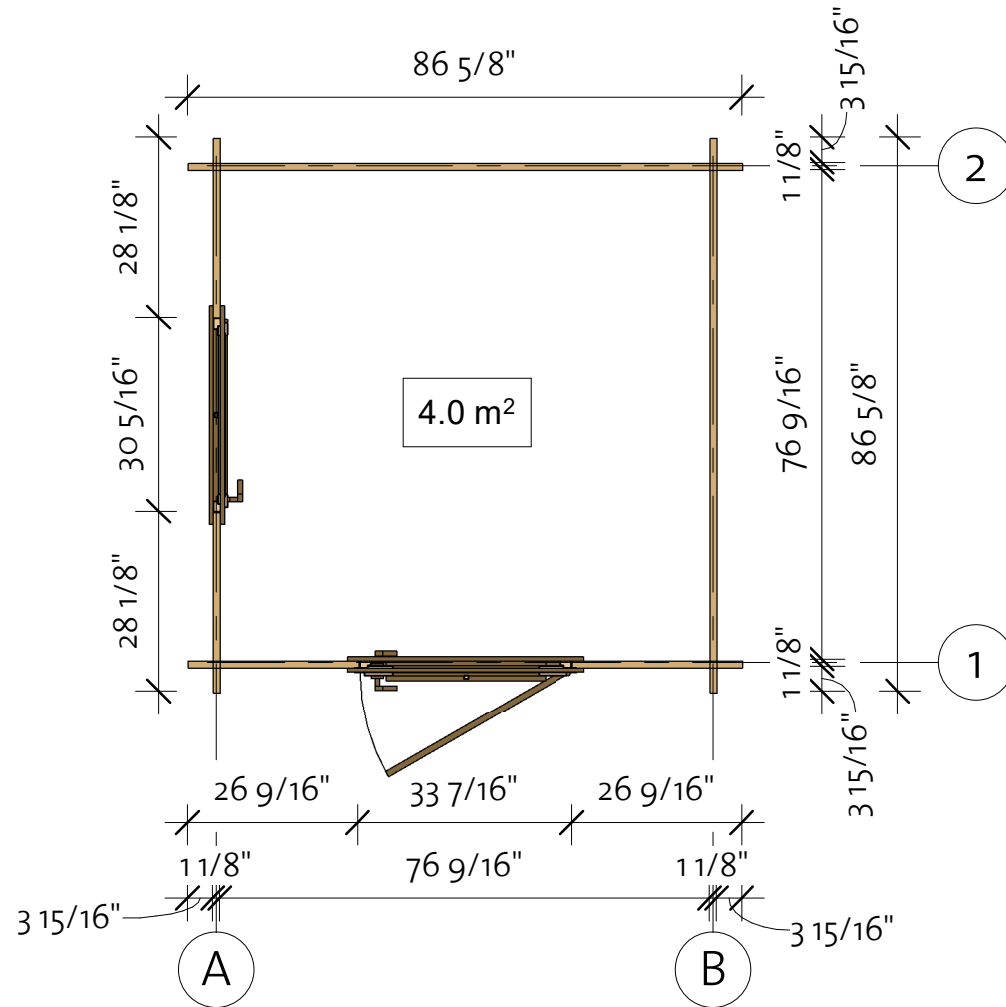
Foundation



Impregnated foundation beams				
Mark	Type	Profile	Count	Length
IFB1	IFB 40x70		2	75 3/16"
IFB2	IFB 40x70		2	78 3/8"

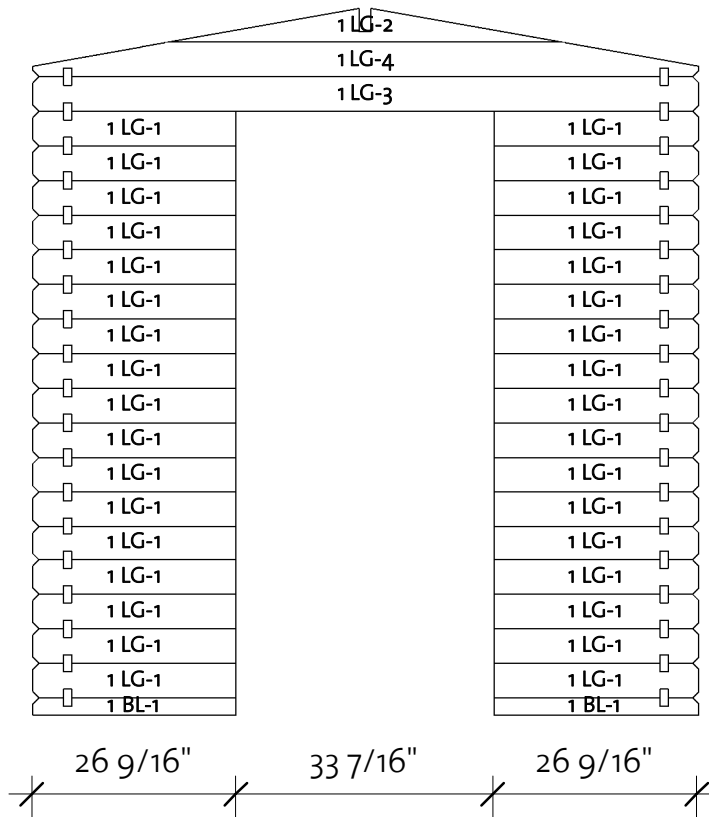
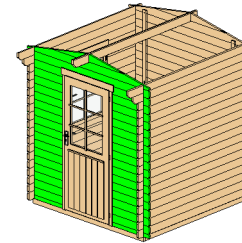
Dixon 1 1/8" (7 7/8" x 7 7/8")

Floor Plan



Dixon 1 1/8" (7 7/8" x 7 7/8")

Wall 1



Wall 1			
Mark	Profile	Count	Cut Length

1BL-1	28x57	2	26 9/16"
1LG-1	28x114	34	26 9/16"
1LG-2*	28x114	1	51 1/16"
1LG-3	28x114	1	86 5/8"
1LG-4*	28x114	1	86 5/8"

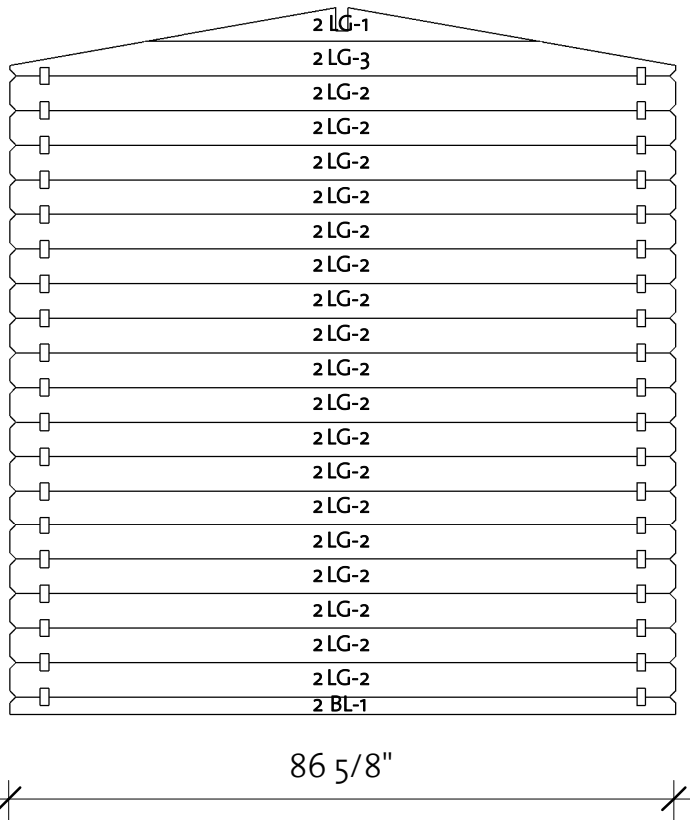
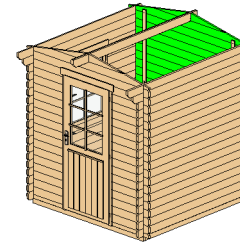
* Gable - delivered premounted

Log Profile Wall 1	
Profile	Profile

28x57	
28x114	

Dixon 1 1/8" (7 7/8" x 7 7/8")

Wall 2

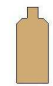
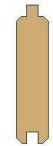


Wall 2			
Mark	Profile	Count	Cut Length

2BL-1	28x57	1	86 5/8"
2LG-1*	28x114	1	51 1/16"
2LG-2	28x114	18	86 5/8"
2LG-3*	28x114	1	86 5/8"

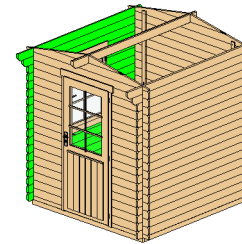
* Gable - delivered premounted

Log Profile Wall 2	
Profile	Profile

28x57	
28x114	

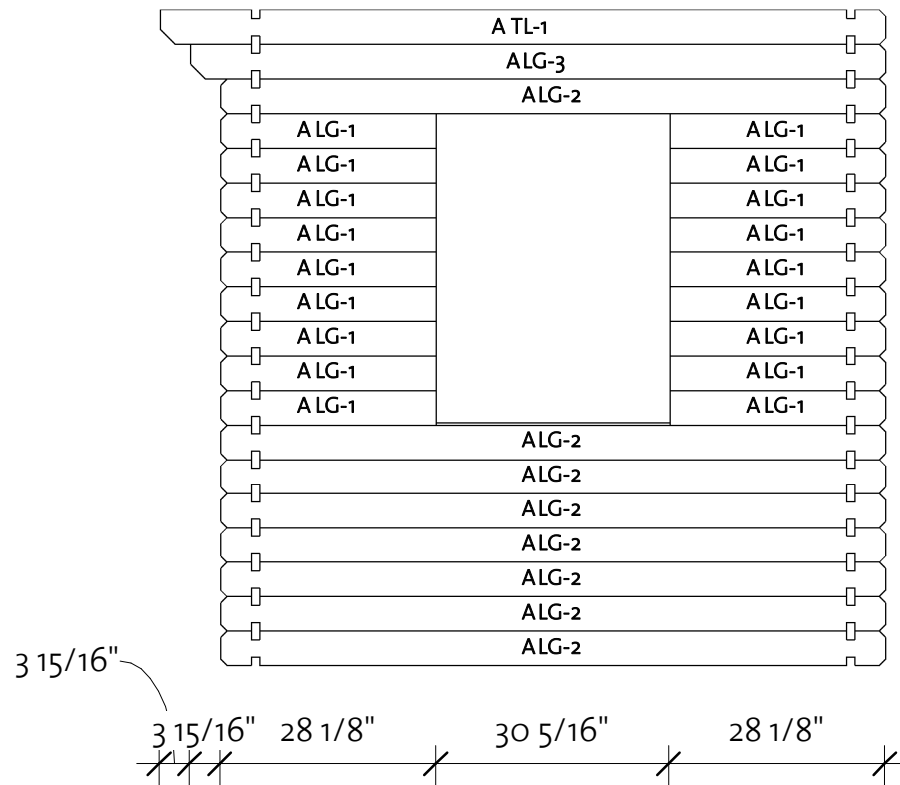
Dixon 1 1/8" (7 7/8" x 7 7/8")

Wall A



Wall A			
Mark	Profile	Count	Cut Length

ALG-1	28x114	18	28 1/8"
ALG-2	28x114	8	86 5/8"
ALG-3	28x114	1	90 9/16"
ATL-1	28x114	1	94 1/2"

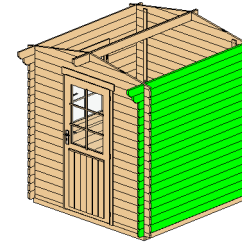


Log Profile Wall A	
Profile	Profile

28x114	
28x114	

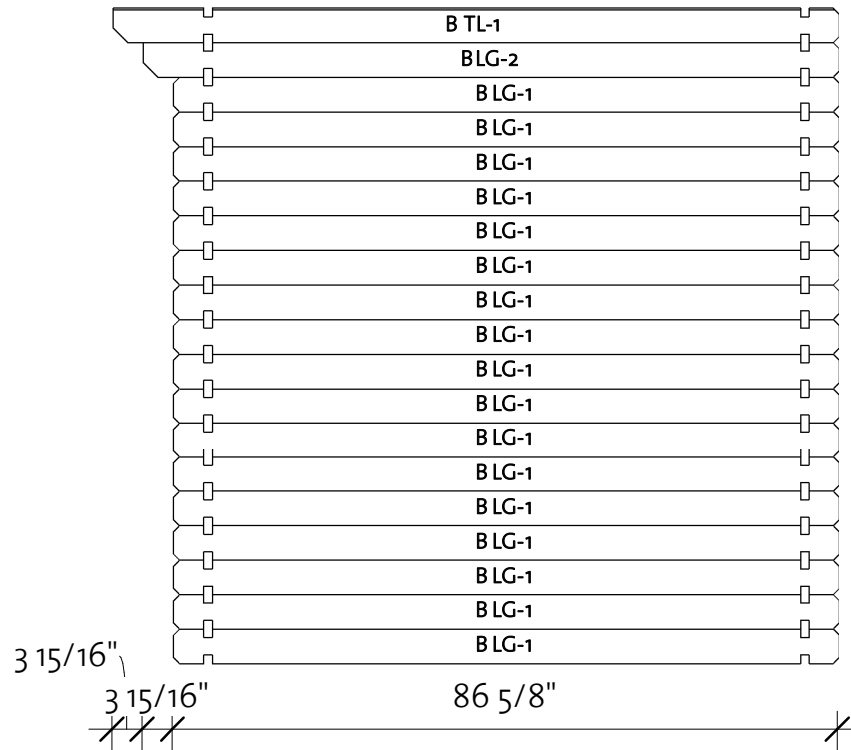
Dixon 1 1/8" (7 7/8" x 7 7/8")

Wall B



Wall B			
Mark	Profile	Count	Cut Length

BLG-1	28x114	17	86 5/8"
BLG-2	28x114	1	90 9/16"
BTL-1	28x114	1	94 1/2"

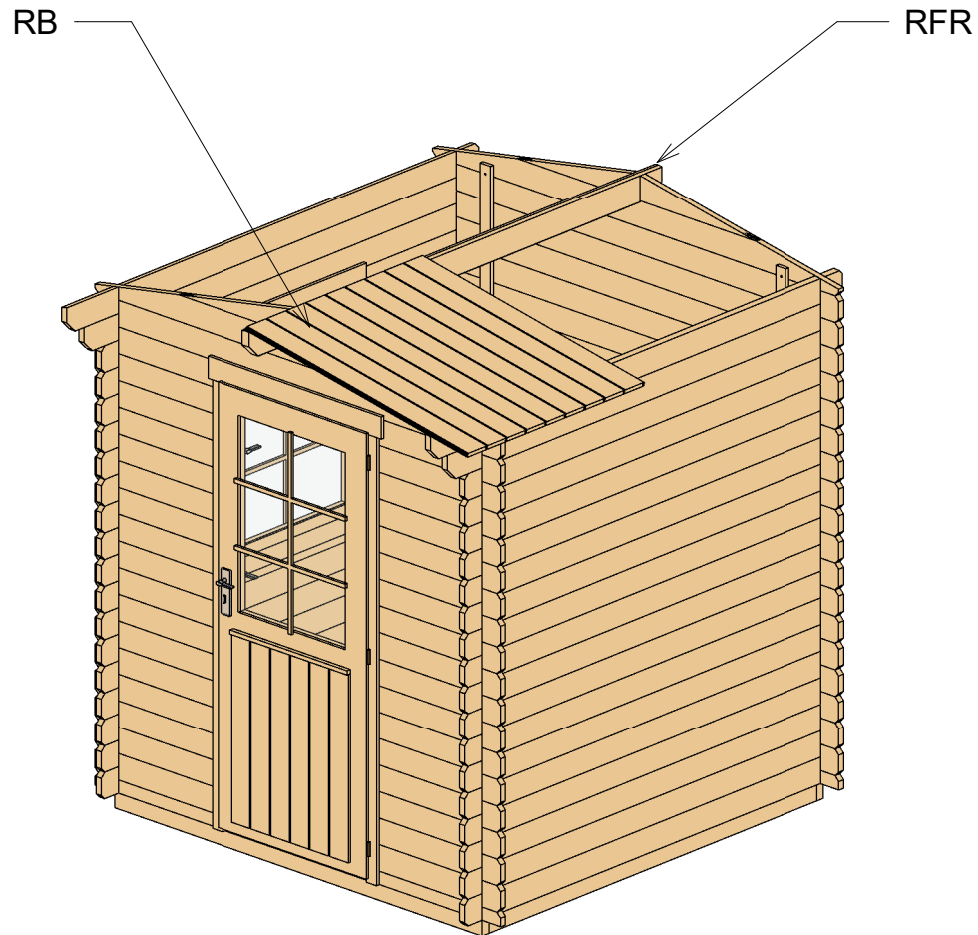




Log Profile Wall B	
Profile	Profile

28x114	
28x114	

Dixon 1 1/8" (7 7/8" x 7 7/8")

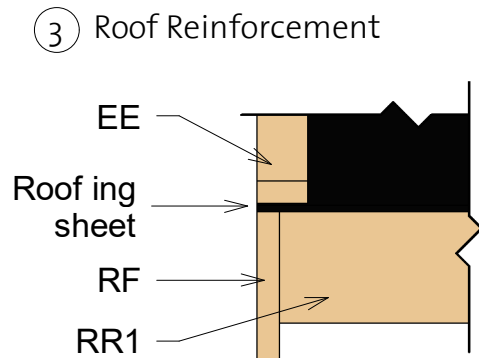
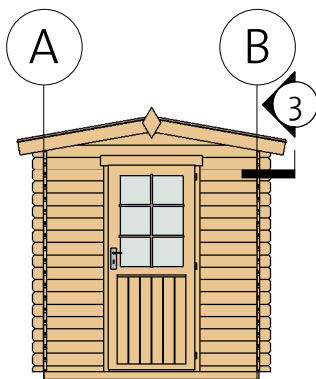
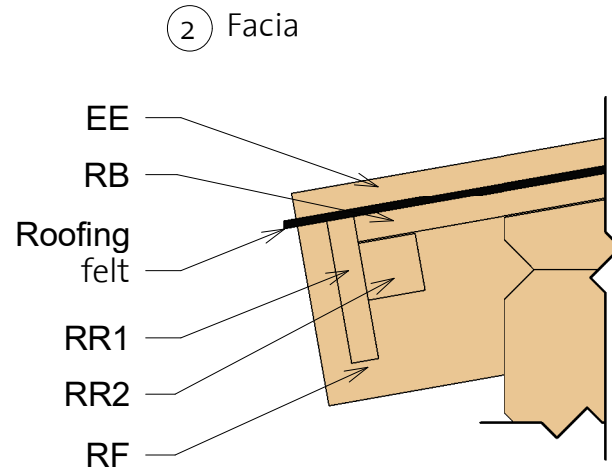
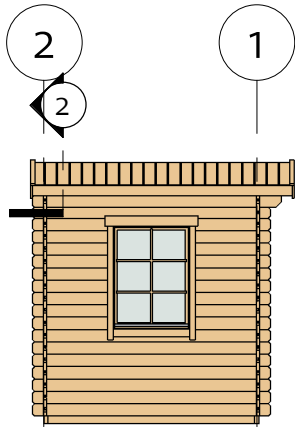
Roof 1



Roof				
Mark	Type	Profile	Count	Length
RFR	Ridge 40x120		1	94 1/2"
RB	17x114		44	47 7/8"

Dixon 1 1/8" (7 7/8" x 7 7/8")

Roof 2



Fascia Schedule				
Mark	Type	Profile	Count	Length

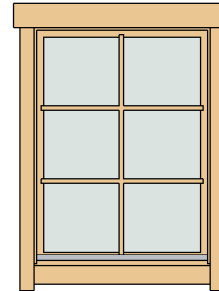
EE	Eave Edging 18x40		4	49 7/16"
RF	Roof Fascia 18x120		4	49 7/16"
RR1	Roof reinforcement 18x95		2	94 1/2"
RR2	Roof reinforcement 38x38		2	94 1/2"

Dixon 1 1/8" (7 7/8" x 7 7/8")

Extras



Door Schedule				
Mark	Type	Width	Height	Count
BD3R	Basic door 3 right	33 1/16"	76 15/16"	1
DCB6	Door Crossbar 6	--	--	1



Window Schedule				
Mark	Type	Wdth	Height	Count
BW1R	Basic window 1 right	30 1/8"	39"	1
WCB6	Windows Crossbar 6	--	--	1

Fasteners & Extras		
Name	Type	Count

Hitblock	11 13/16"-15 3/4"	
Screws	3/16" x 2 3/4"	10
Bolts	M5/16" x 2 3/8"	12
Screws	1/4" x 5 1/2"	25
Screws	3/16" x 1 9/16"	65
Screws	3/16" x 2"	110

Family	Count
Romb	2

Type	Count	Length
Windboard 18x40	4	86 5/8"





Dixon 1 1/8" (7 7/8"x7 7/8")

List of all items 1

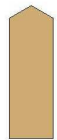

Impregnated foundation beams

Mark	Type	Profile	Count	Length
------	------	---------	-------	--------

IFB1	IFB 40x70		2	75 3/16"
IFB2	IFB 40x70		2	78 3/8"



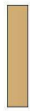

Roof

Mark	Type	Profile	Count	Length
------	------	---------	-------	--------

RFR	Ridge 40x120		1	94 1/2"
RB	17x114		44	47 7/8"

Fascia Schedule

Mark	Type	Profile	Count	Length
------	------	---------	-------	--------

EE	Eave Edging 18x40		4	49 7/16"
RF	Roof Fascia 18x120		4	49 7/16"
RR1	Roof reinforcement 18x95		2	94 1/2"
RR2	Roof reinforcement 38x38		2	94 1/2"

Dixon 1 1/8" (7 7/8"x7 7/8")

List of all items 2

Wall 1			
Mark	Profile	Count	Cut Length

1BL-1	28x57	2	26 9/16"
1LG-1	28x114	34	26 9/16"
1LG-2*	28x114	1	51 1/16"
1LG-3	28x114	1	86 5/8"
1LG-4*	28x114	1	86 5/8"

Wall 2			
Mark	Profile	Count	Cut Length

2BL-1	28x57	1	86 5/8"
2LG-1*	28x114	1	51 1/16"
2LG-2	28x114	18	86 5/8"
2LG-3*	28x114	1	86 5/8"

* Gable - delivered premounted

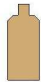

Wall A			
Mark	Profile	Count	Cut Length

ALG-1	28x114	18	28 1/8"
ALG-2	28x114	8	86 5/8"
ALG-3	28x114	1	90 9/16"
ATL-1	28x114	1	94 1/2"

Wall B			
Mark	Profile	Count	Cut Length

BLG-1	28x114	17	86 5/8"
BLG-2	28x114	1	90 9/16"
BTL-1	28x114	1	94 1/2"

Log Profiles	
Profile	Profile

28x57	
28x114	

Log Profiles	
Profile	Profile

28x114	
--------	---